

IP SMART-SIGHT SERIES

Provision-ISR SMART-SIGHT Series includes high performances AI CAMERAS, designed for specific purposes and applications. All the devices' components (from the sensor, to the optics, through the CPU and even the lighting) were especially selected to deliver the most accurate AI result for the required application.



BX-321FR

2MP FACE DETECTION/RECOGNITION BOX CAMERA

This 2MP Face detection/recognition box camera has been designed for special requirements such as attendance control, tracking by face, vip greetings and more. Thanks to its advanced algorithm and strong processor, the BX-321FR makes an ideal solution for scenarios where facial recognition is required.



SMART FACE
FACE RECOGNITION CAMERAS



MAIN FEATURES

- 2MP
- 1920x1080 Resolution
- 3D-DNR
- Face Recognition
- Face Detection
- 2-Way Audio
- 2 Alarm in + 2 Alarm Out

ANALYTICS

- General Analytics: Camera Tampering
- AI Analytics: Face Detection, Face Recognition***



SPECIFICATIONS

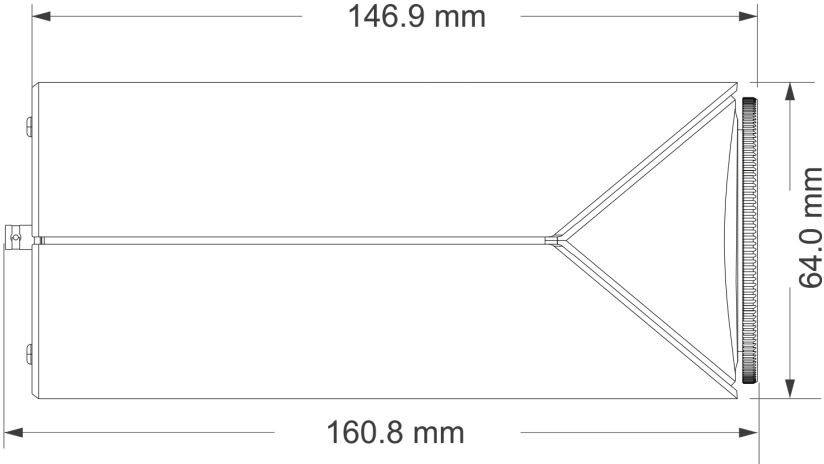
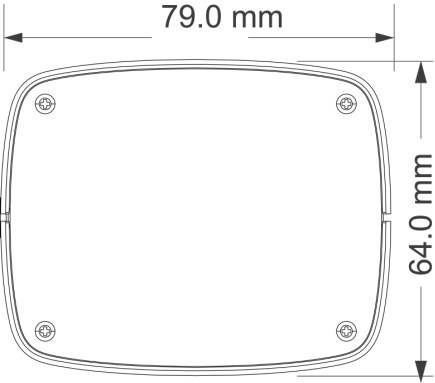
| | |
|------------------------|--|
| Image Sensor | 1/2.8" CMOS (16:9) |
| Effective Pixels | 1920x1080 |
| Electronic Shutter | 1/3s ~ 1/10000s |
| Frame Rate | 1-25/30FPS In Normal Mode. 1-50/60FPS in HFR Mode |
| Day & Night | ICR |
| Min. Illumination | Day: 0.0026lux / Night: 0.001lux(@F1.4, AGC On) |
| Audio compression | G.711A/G.711U |
| Communication | 2-Way Audio |
| Image Settings | AWB, AGC Adjustable, Exposure Mode (Auto), Sharpness, Saturation, Brightness & Contrast Adjustable |
| Image Enhancement | True WDR (120dB), BLC, HLC, ROI |
| Noise Reduction | 3D-DNR |
| Image Orientation | Mirror/Flip |
| Privacy Zone | Yes |
| Motion Detection | Yes |
| Analytics | General Analytics: Camera Tampering AI: Face Detection, Face Recognition*** |
| Face database | Up to 10000 faces***Add face via WEB or VMS*** |
| Triggers | Snapshot / Email / FTP for allow/black lists*** |
| Recognition per second | Up to 10 face detections and 3 face recognitions per second*** |
| Recognition distance | Recommended distance: Depends on lens |
| Video Compression | H.265 / H.264 / MJPEG** |
| Resolution | 1080P (1920x1080), 720P (1280x720), D1, CIF ,480x240 |
| Multi-Stream | 1920x1080(1~30fps) / 1280x720(1~30fps) / D1(1~30fps) / CIF(1~30fps) / 480x240(1~30fps) / QCIF(1~30fps) |
| Bit rate | 64Kbps ~ 12Mbps@H.265 / 128Kbps ~ 12Mbps@H.264 |
| Encode Mode | VBR/CBR |
| Image Quality | Five levels under VBR; Free adjustment under CBR |

Sub-Streams Only, *Future development

SPECIFICATIONS

| | |
|----------------------|---|
| IR Distance | N/A |
| Lens (Field of View) | N/A |
| Iris | N/A |
| Lens Mount | CS MOUNT |
| Protection Rate | None |
| Bracket | No |
| Dimensions | 79×153×64mm |
| Weight (gross) | 640g |
| Network | RJ45 (+PoE) |
| Power | DC Socket |
| Analog Video Output | CVBS (BNCx1) |
| Audio Connectivity | 1Ch Input, 1Ch Output, 1Ch Built in mic |
| SD Card | Support Event recording over TF (128GB Max) |
| Hard Reset Button | Yes |
| Alarm | 2Ch Input, 2Ch Output |
| Remote Monitoring | IE Browsing, CMS Software, Provision Cam2 Mobile App |
| User Access | Supports simultaneous monitoring for up to 4 users with multi-stream real time transmission |
| Network Protocol | TCP/IP, UDP, DHCP, NTP, RTSP, PPPoE, DDNS, SMTP, FTP, SNMP |
| ONVIF | Yes |
| Ethernet | 100Mbps |
| PoE | Yes |
| Power Supply | DC12V~320mA / AC24V~160mA / PoE~6W |
| Work Environment | -10C°~50C°, 10%~90% Humidity |
| Junction Box | no |

DIMENSIONS



IMAGES

