

PROVISION **ISR**[®]

Now you can see!

1080P AHD

IR BULLET PTZ CAMERA

www.provision-isr.com



User Manual

- ▶ I5PT-390AHDX10
- ▶ I5PT-390AHDX4

I5PT-390AHDX4/X10

1080P BULLET MINI PTZ CAMERA

QUICK INSTALLATION GUIDE

Table of Contents:

1. Summary:.....	3
1.1 Important Safety Notes:	3
2. Box Contents:	3
3. Structure.....	3
3.1 Camera Cable.....	3
4. Device Installation:	4
6. Camera Settings & Preset Commands:.....	5
7. Camera Specs:	7

1. Summary:

This document describes the correct installation and operation methods of I5PT-390AHD4/10 Models.

1.1 Important Safety Notes:

Please read this manual carefully before installing and operating the camera.

- Please refer to the technical specs to confirm you are using a suitable power supply. Do not use power supply with higher/lower rating than specified.
- Do not attempt to disassemble the camera; in order to prevent electric shock, do not remove any screws or covers.
- There are no user-serviceable parts inside. Please contact the nearest service center if there is any technical failure.
- Avoid incorrect operation, shock vibration or heavy weight pressing which can damage the camera.
- Do not use corrosive detergent to clean the camera. If necessary, please use a soft dry cloth to wipe dirt. For tough contamination, use neutral detergent. Any cleanser for high grade furniture is applicable.
- Avoid aiming the camera directly towards extremely bright objects such as the sun, as it may permanently damage the image sensor.
- Please follow the installation instructions.
- Do not operate the camera in environments that exceeds the specified temperature, humidity or power.
- Keep away from any heat sources such as radiators, heat registers, stoves, etc.
- Do not expose the product to the direct airflow of an air conditioner.

2. Box Contents:

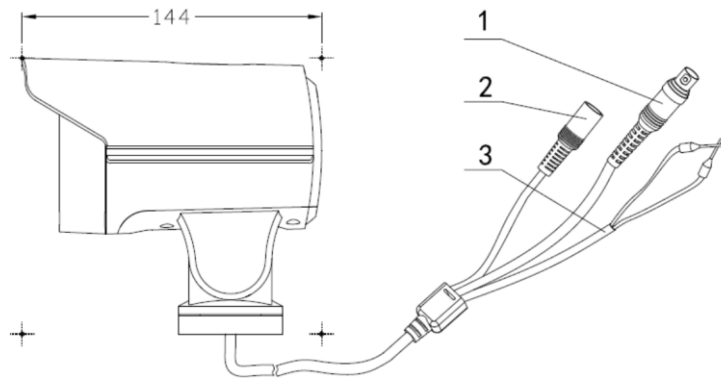
ITEM	QUANTITY
IP5-390AHD4/10 Camera	1
Camera Bracket	1
User Manual	1
Installation Screws	4

3. Structure

3.1 Camera Cable

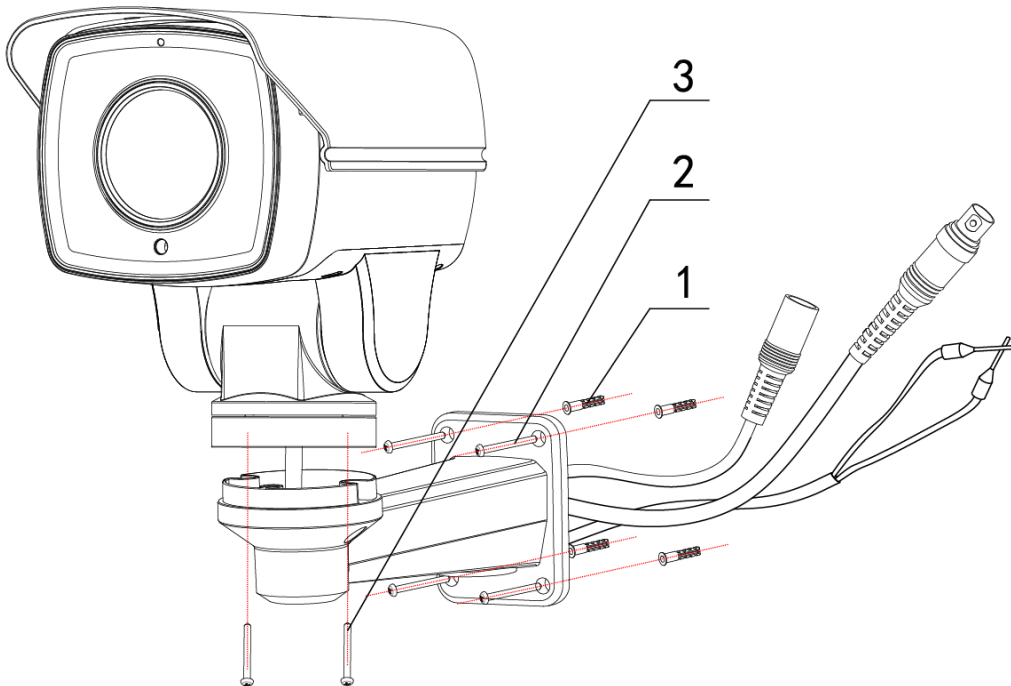
Please find cable description below. You can also refer to Figure 2-1. There might be some differences among different serial products.

S/N	ITEM	QUANTITY
1.	Video Connector	AHD 1080P Video Output
2.	Power Connector	12V DC Power Input (2A Recommended)
3	RS-485 Connector	Orange: RS-485A, Yellow: R -485B



Picture 2-1: Cable Reference

4. Device Installation:



The camera is designed for a wall installation only! Please refer to the installation instructions below.

Important: The installation surface should be able to hold at least triple the weight of the assembled camera.

Step 1: Install the camera's bracket to the wall:

For cement wall:

1. Mark the holes locations on the wall.
2. Drill into the marked holes
3. Use the supplied screw anchors
4. Fix the bracket to the wall using the supplied screws.

For wood wall:

- 1) No need to drill the wall or use screw anchors.
- 2) Fix the bracket to the wall using the supplied screws.

Step 2: Install the camera:

- 1) Pass the camera's cable through the installed bracket.
- 2) Secure the camera to the bracket using the supplied screws.
- 3) Make all connections (Connect Power source last)

Step 3: Connect the camera to a controller:

- 1) Connect the camera to a controlling device such as RS-485 keyboard or DVR (By CoC/RS-485).
- 2) If required, adjust corresponding address and baud rate. Make sure you can control the device.

Warnings:

- 1) Do not adjust the camera's orientation manually. This might damage the device.
- 2) Do not hang anything from the camera's bracket as it is not designed to hold overloads.

6. Camera Settings & Preset Commands:

Shortcut Key	Function (Set Preset)
Set #84preset	Proportional P/T OFF
Set #85preset	Set Output: AHD PAL
Set #86preset	Set Output: AHD NTSC
Set #87preset, Call N	N is address (N=1,2,3... 255)
Set #88preset, Call N	N is baud rate(1. 2400; 2.4800; 3.9600)
Set # 89preset	Delete all presets
Set #90 preset	Set left limit Position
Set #91preset	Set right limit Position
Set #92 preset	Delete left/right limit
Set #93preset	Dome restart
Set #94 preset	Restore Factory Setting
Set #95preset	Open main menu
Set #96 preset	0S Park time ON
Set #97 preset	60S Park time ON
Set #98preset	120S Park time ON
Set #99 preset	scan and tour scan speed is automatic
Set #100 preset	scan and tour scan speed is high, 15°/sec
Set #101preset	scan and tour scan speed is middle, 10°/sec
Set #102preset	scan and tour scan speed is low, 5°/sec

Set #103 preset	Record Pattern scan 1
Set #104 preset	Record Pattern scan 2
Set #105 preset	Record Pattern scan 3
Set #106 preset	Record Pattern scan 4
Set #111 preset	Set color-to-black function
Set #112 preset	Set 360°scan, the preset-dwell: 0S
Set #113preset	Set 360°scan, the preset-dwell: 5S
Set #114preset	Set 360°scan, the preset-dwell: 10S

Shortcut key	Function (Call preset)
Call #69 preset	Open Advanced Settings menu
Call #70 preset	Preset Error Correction
Call #71 preset	Proportional P/T ON
Call #72 preset	Start Cruise scan and switch the cruise scan direction
Call #73 preset	Start Pattern 1
Call #74 preset	Start Pattern 2
Call #75 preset	Start Pattern 3
Call #76 preset	Start Pattern 4
Call #77 preset	Call cruise 1 (number 1~16 preset)
Call #78 preset	Call cruise 2 (number 17~32 preset)
Call #79 preset	Call cruise 3 (number 33~48 preset)
Call #80preset	Call cruise 4 (number 49~64 preset)
Call #81 preset	Camera IR-CUT switch
Call #82 preset	Call all valid presets cruise
Call #83 preset	Call 250°scan
Call #95preset	Open main menu (Same response as “Set”)

Note: Sequence default includes preset 1-preset 10 with parking time of 10sec.

7. Camera Specs:

		I5-PTZ	
Model		I5PT-390AHDx10	I5PT-390AHDx4
CCD		1/3" CMOS	
Resolution	AHD	2MP (1920x1080)	
	Analog	Not Supported	
Optical Zoom		x10 (5.1-51mm)	x4 (2.8-12mm)
Digital Zoom		No	
Minimum Focus Distance		1.5M	
Horizontal Angle of View		H: 50.4°(Wide) to 5.4°(Tele) V: 29.7°(Wide) to 3°(Tele)	81.2°(Wide) to 22.6°(Tele) 51.5°(Wide) to 12.8°(Tele)
Sync System		Internal	
Min. Illumination		0.01lux (0 Lux with IR On)	
Day & Night		Auto/Day/Night (ICR)	
S/N Ratio		>50dB	
Focus		Auto/Manual	
Auto Gain		Auto/Manual	
Wide-D		No	
White Balance		ATW/Manual/Outdoor/Indoor	
BLC		On/Off	
Shutter Speed		1/50~1/10000	
Sense Up		No	
Noise Reduction		3D-DNR	
Stabilizer		No	
Flip		On/Off	
Picture Freeze		No	
Iris		Auto	
Flickerness		No	

Pan/Tilt Specification

Pan tilt Range	250° Pan/ 65° Tilt
Pan tilt Speed	Max Preset Speed: 12°/Sec Manual: 0.5°~12°/Sec (Proprtional to Zoom)
Preset	255
Pattern	Up to 4
Auto Scan	Yes
Group	4 Groups (Non-Configurable)
Schedule	No
Privacy Zone Masking	No
Park Function	No

Communication Specification

Data Type	CoC* (Control over Coax), RS-485
Protocols	Pelco-D
Baud Rates	2400
Camera ID	1 - 255
Alarm I/O	No
On Screen Display	OSD menu, Camera position

Mechanical

IR Distance	50m IR LED ARRAY
Fan / Heater	No
Sunshield	Yes
Humidity range	<90%
Power Supply	12VDC/2A (Not supplied)
Operation temperature	-20°C~+50°C
Dimensions	225*165*94mm
Ingress Protection	IP66
Weight	920gr

*CoC must be supported on the controlling unit as well

PROVISION **ISR**[®]

Now you can see!